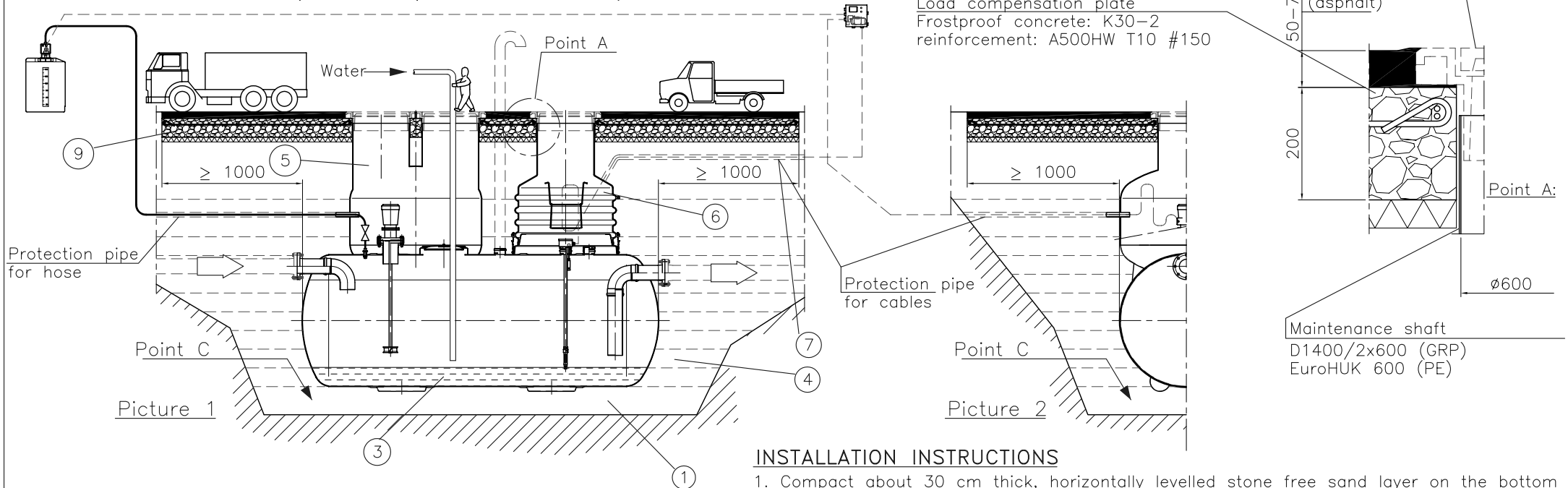
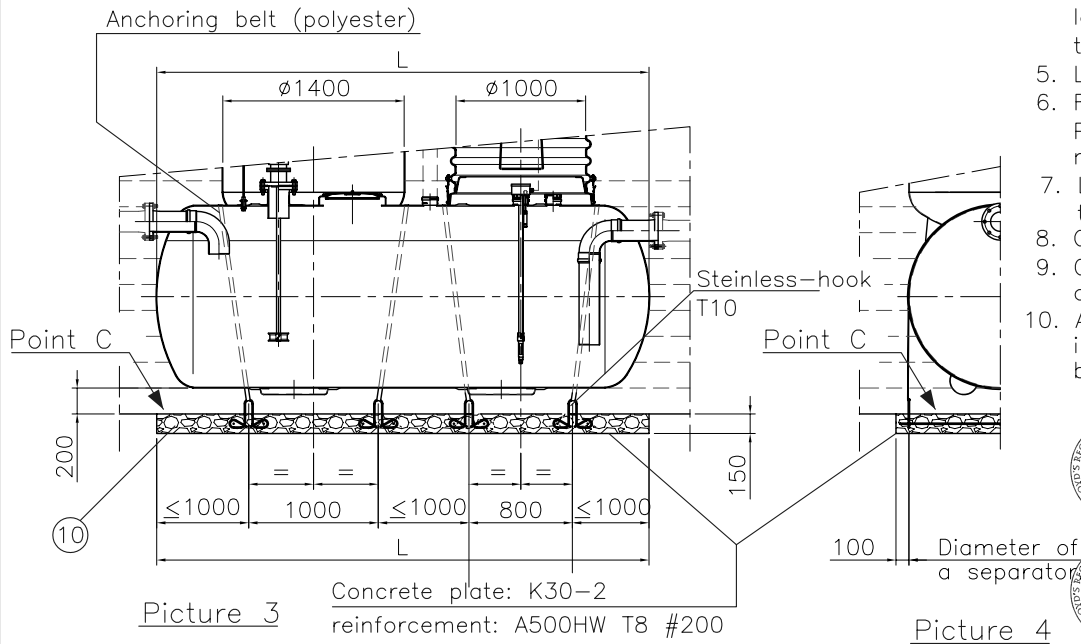


Installation instructions

- pedestrian and light traffic (passenger cars)
- medium and heavy traffic (vans and lorries)



Anchoring of the separator in the ground water area and/or where the bearing capacity of the ground is poor.



INSTALLATION INSTRUCTIONS

1. Compact about 30 cm thick, horizontally levelled stone free sand layer on the bottom of the pit.
2. Lift the tank carefully into pit by crane and lifting belts.
3. Add about 20 cm of water inside the tank to make it stable.
4. Carefully compact the sand around the tank. Continue compacting the sand in 20 cm layers to the level of the connection pipes. Install the pipes to the connections of the tank. Add some water to the tank as filling the pit with sand to keep the tank steady.
5. LM-HUK 1400 -maintenance shaft should be laminated on the collar (Pict. 1 and 2).
6. Remove the storage shield from the EuroHUK 600 maintenance shaft's opening. Place the rubber gasket in the lower edge of the maintenance shaft. Place the maintenance shaft vertically on the mounting collar of the tank and lock it.
7. Lead the cables and chemical pipe from the tank into the building inside the protection pipe.
8. Continue compacting the sand in 40 cm layers up to the ground surface.
9. On a vehicle area there should be cast a load compensation plate above the separator as seen in pictures 1 and 2 and place A.
10. Against the lifting forces of the ground water, the separator should be anchored as indicated in picture 3 and 4. Compact atleast 20 cm thick stone free sand layer between the plate and the separator.



Product:	Title:	Drawing type			
Design by:	Checked by:	Approved by:	Drawing no.	Date:	Scale:
TiS/JS	TJ	02.10.03	70LF01_e	02.10.03	
OY LABKO AB Labkatie 1 FIN-36240 KANGASALA FINLAND Tel. +358-020-1285 200 Fax +358-020-1285 530 www.labko.fi			Construction site: UNDERGROUND INSTALLATION		